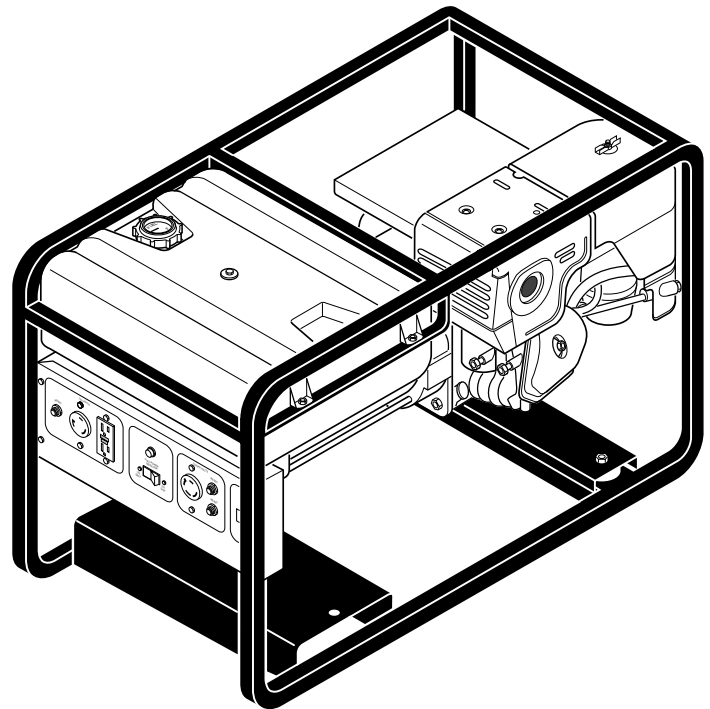
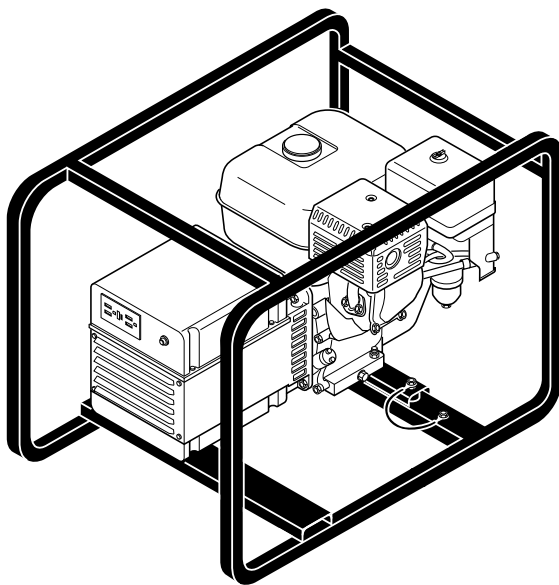


MASTER[®]

PORTABLE GASOLINE GENERATORS

OWNER'S OPERATION AND INSTALLATION MANUAL



Generator Models: MGH3000, MGH4000A, MGH5000A, MGH6000, and MGH7000

IMPORTANT

Read and understand this manual before operating or servicing generator. Improper use of generator can cause serious injury. Keep this manual for future reference.

CONTENTS

SECTION	PAGE
Safety Information	3
Product Identification	6
General Information	7
Specifications	7
Unpacking	7
Ventilation	8
Dust, Dirt, Rain, and Snow	8
High and Low Temperature Operation	8
Generator Features	9
Oil Alert System	9
Full Power Selector Switch	9
Electric Start (Model MGH7000 Only)	9
Ground Fault Circuit Interrupter Receptacle	10
Engine Circuit Breaker (Model MGH7000 Only)	10
Receptacle Circuit Breaker	11
Engine Oil	11
Fuel	12
Battery (Model MGH7000 Only)	12
Generator Grounding	15
Extension Cords	16
Standby Installation To Home Or Building	16
Determining Electrical Load For Generator	16
Operation	18
General Information	18
Using Receptacle	18
Power Cord and Plug Requirements	19
Prestart	20
Starting	20
High Altitude Operation	22
Adding Electrical Loads	22
Disconnecting Electrical Loads	22
Stopping Engine	23
Maintenance and Repairs	24
Storage	24
Troubleshooting	25
Electrical Component Specifications	25
Wiring Diagrams	26
Parts Centrals	27
Technical Service	28
Servicing The Engine	28
Replacement Parts	28
Accessories	28
Illustrated Parts Lists	29-34
Warranty Information	Back Cover

SAFETY INFORMATION

WARNINGS

IMPORTANT: Read this owner's manual and the engine owner's manual carefully. Become familiar with this generator before trying to operate or service it. Know its uses, limitations, and any hazards involved. Improper use of generator can cause severe injury or death from explosion, fire, burns, electrical shock, or carbon monoxide poisoning.

DANGER

Carbon monoxide poisoning may lead to death!

Engine exhaust contains poisonous carbon monoxide gas. Overexposure will cause loss of consciousness and will lead to death. Use only in well-vented areas. Make sure area has plenty of free-moving, fresh, outside air. Never run generator in an enclosed or confined area. Never run generator inside occupied building.

Early signs of carbon monoxide poisoning resemble the flu, with headaches, dizziness, and nausea. If you have these signs, get fresh air at once! Some people are more affected by carbon monoxide than others. These include pregnant women, persons with heart or lung disease or anemia, those under the influence of alcohol, and those at high altitudes. Make certain you read and understand all warnings. Keep this manual for reference. It is your guide to safe and proper operation of this generator.

Safety information appears throughout these instructions. Pay close attention to them. Below are definitions for the safety information listed throughout this manual.

DANGER indicates a hazard which will cause severe personal injury, death, or substantial property damage if you ignore warning.

WARNING indicates a hazard which can cause severe personal injury, death, or substantial property damage if you ignore warning.

CAUTION indicates a hazard which will or can cause minor personal injury or property damage if you ignore warning.

1. **⚠ WARNING** Gasoline presents a hazard of fire or explosion. Gasoline is flammable. Its vapor is explosive.
 - Keep fuel out of children's reach.
 - Refuel generator in a well-vented area. Do not fill fuel tank in the dark. Do not refuel while engine is running. Unhook all electrical loads and shut off engine before refueling.
 - Do not overfill fuel tank. Always allow room for fuel to expand. If you overfill tank, fuel can overflow onto hot generator. This can cause fire or explosion. After refueling, tightly close fuel tank cap.
 - Do not spill fuel. Fuel or fuel vapor may ignite. If fuel spills, make sure area is dry before starting engine.
 - Never smoke in refueling area. Never allow open flames or sparks in area.
 - Store fuel in approved container. Store fuel in a well-vented area free of open flames or sparks.

SAFETY INFORMATION

Continued

2. **⚠ WARNING** Guard against fire hazard. Keep operation area well-vented. Keep generator at least three feet away from any object. Do not place flammable objects near generator.
 - Do not use generator where flammable vapors are present. Some vapors are heavier than air. These vapors settle in low-lying places.
 - Do not use generator in enclosed spaces. This includes motor home or RV generator compartments.
3. **⚠ WARNING** Guard against electric shock. Generator produces high voltage. This high voltage can cause severe electric shock. Only responsible adults should use generator.
 - Properly ground generator before starting.
 - Never let anyone operate or service generator without proper instructions.
 - Avoid contact with live terminals or bare wires.
 - Do not use generator outdoors in rain or snow.
 - Do not use generator near standing water or snow.
 - Do not use if generator is wet or damp.
 - Do not use generator in highly conductive areas. These areas include metal decking and steelwork.
 - Only use grounded extension cords.
 - Do not use any worn or damaged electric cords. Electric shock or damage to generator may result.
 - Do not wear damp clothing or wet shoes when using generator.
4. **⚠ WARNING** Guard against burns. Hot engine parts can cause severe injury. Use caution and remain alert when using generator.
 - Keep children and animals away from generator while it is running or hot.
 - Keep all covers and shields in place. Keep them tightly secured.
 - The muffler becomes very hot during operation. The muffler remains hot for a while after shutdown. Do not touch muffler while it is hot. Do not let muffler touch anything flammable. Let engine cool before transporting or storing.
5. **⚠ WARNING** Have standby installation to home or building performed by a licensed electrician. Do not let anyone else wire into a utility circuit. Personal injury, equipment damage, or damage to home could occur.
6. **⚠ WARNING** Never connect generator to any existing electrical circuits. The generator output will back-feed into the utility power line. This may electrocute a power company line repair person. Also, if generator is powering electrical circuits, the chance of an electrical fire exists.
7. **⚠ WARNING** Battery gives off explosive gases. Keep sparks, flames, and cigarettes away. Do not remove or install battery cables when engine is cranking or running. Only service or use battery in a well-vented area.

SAFETY INFORMATION

Continued

8. **⚠ WARNING** Battery contains sulfuric acid. Battery acid is poisonous if swallowed. Contact with skin or eyes may cause severe burns. Do not tilt generator with battery installed. Tilting could cause battery acid to spill. Wear protective clothing and face shield when servicing. Keep out of children's reach.
9. **⚠ WARNING** Only a qualified electrical service person should service and repair generator.
 - Generator produces high voltage. Use extreme caution when working on electrical parts.
 - Always remove spark plug wire from spark plug before servicing. This will prevent accidental starting.
 - When working on generator, avoid hot muffler, exhaust manifold, and engine parts. Severe burns may occur.
 - Do not work on generator when tired.
 - Use only factory approved replacement parts.
10. **⚠ WARNING** Store generator in a well-vented area. Make sure fuel tank is empty. Never store with fuel in tank. Vapors may reach an open flame or spark. Fire or explosion may result.
11. **⚠ CAUTION** Never operate generator
 - if engine speed changes greatly
 - if engine misfires often
 - if powered items overheat
 - if electrical output drops
 - if it is sparking
 - if it produces smoke or flames
 - if it vibrates at high levels
 - if it has a damaged receptacle
12. **⚠ CAUTION** Keep generator and nearby areas clean.
 - Keep generator free of oil, mud, and other foreign matter.
 - Remove anything that creates slippery areas around generator.
 - Remove oily rags and other items that create fire hazards.
 - Keep a fire extinguisher nearby. Make sure it is rated ABC by the NFPA. They are good for all uses. Consult your local fire department.
 - Keep fire extinguisher well maintained. Be familiar with its use.
13. **⚠ CAUTION** Know how to stop engine quickly. Know how to use all controls.
14. **⚠ CAUTION** Prolonged exposure to loud noise can cause hearing loss.
 - When working around generator, wear approved hearing protection.
 - Remember neighbors when using generator.

PRODUCT IDENTIFICATION

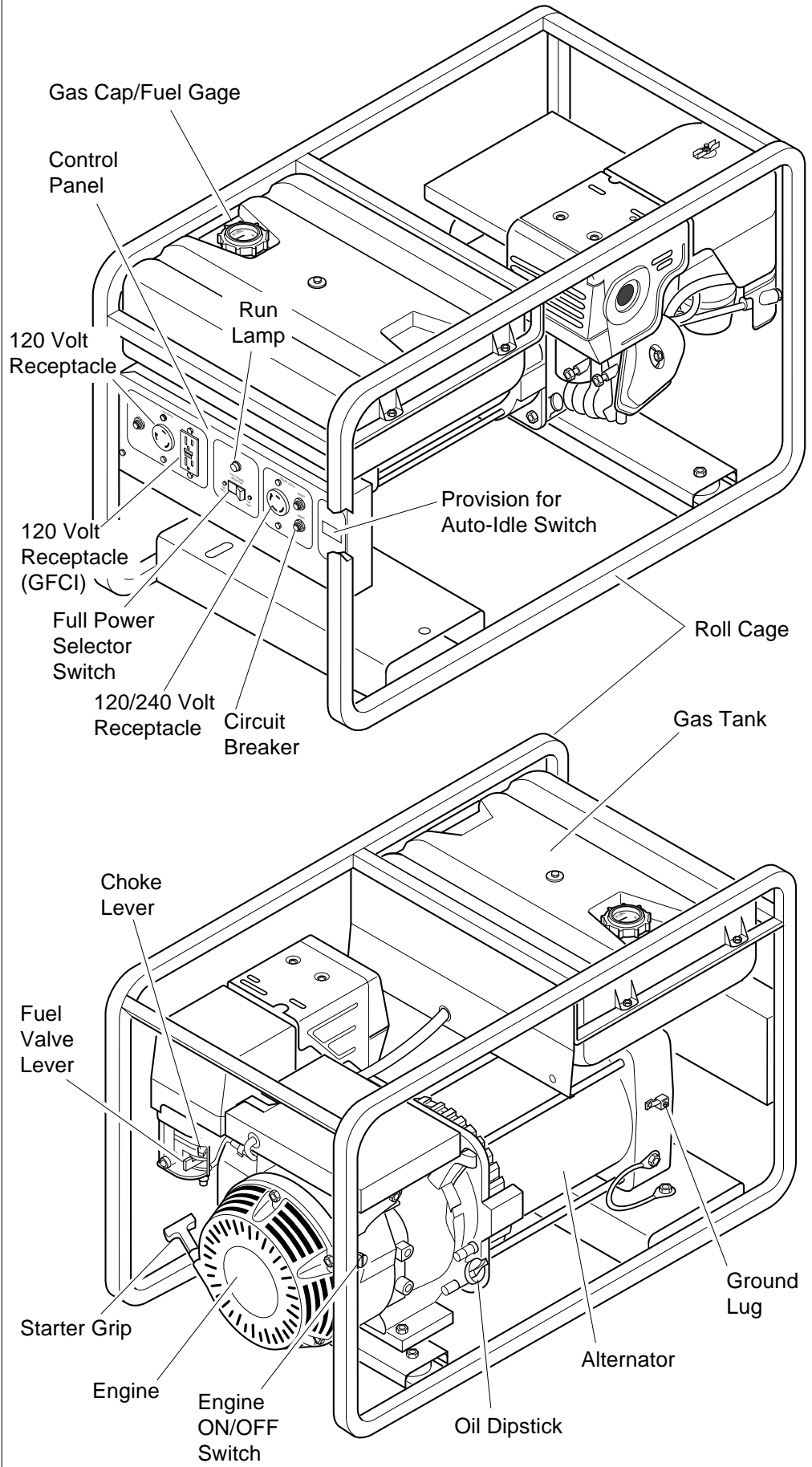


Figure 1 - Portable Generator (Model MGH4000A Shown)

GENERAL INFORMATION

Master portable generators are rugged and compact. These models provide dependable, trouble-free service. The alternators are brushless with revolving fields. Honda gasoline engines provide long life under heavy use. Honda engines have overhead valves (OHV). This provides high performance with lower fuel consumption. These engines are governed to maintain engine speed of 3600 RPM under load. 3600 RPM engine speed provides 120/240V, 60 Hz power.

Additional Features

- Circuit breaker protection
- Spark-arresting muffler
- Large fuel tank
- Oil alert system
- Electric starter (model MGH7000 only)
- 15-Amp ground fault circuit interrupter (GFCI) receptacle

SPECIFICATIONS

MODEL	MGH3000	MGH4000A	MGH5000A	MGH6000	MGH7000
Electrical Specifications					
Rated Wattage	2500	4000	5000	6000	6800
Rated Amperage					
120 Volt	20.8	33.3	41.7	50	57
240 Volt	—	16.7	20.8	25	28.3
Receptacle Specifications					
120-Volt, 15-Amp GFCI	Yes	Yes	Yes	Yes	Yes
120-Volt, Twist-Lock	No	30 Amp	30 Amp	30 Amp	30 Amp
120/240-Volt, Twist-Lock	No	20 Amp	20 Amp	20 Amp	30 Amp
120-Volt Full-Power Switch	No	Yes	Yes	Yes	No
General Specifications					
Honda Engine H.P.	5.5	8	9	11	13
Honda Model	GX160K1VX	GX240K1VA	GX270VA	GX340K1VA	GX390K1VXE
Fuel Type	Gasoline	Gasoline	Gasoline	Gasoline	Gasoline
Fuel Tank Capacity	3.9 qt.	5 gal.	5 gal.	5 gal.	5 gal.
Oil Alert System	Yes	Yes	Yes	Yes	Yes
Start Method	Recoil	Recoil	Recoil	Recoil	Electric
Weight (pounds)	85.5	139	173	191	247

* Single-phase, 1.0 power factor

Note: Ratings apply to SAE standard conditions. Reduce ratings 3 1/2% for each 1000 feet above sea level and 1% for each 10° Fahrenheit rise above 60°F.

UNPACKING

1. Remove generator from carton.
2. Remove any protective packaging applied to generator for shipment.
3. Check for loose or missing parts. Check for shipping damage. If any parts are missing or damaged, promptly inform dealer where you bought generator.
4. Battery cables are supplied for model MGH7000 only. These cables are in a separate bag inside generator carton. You must install these cables to engine. See *Battery*, page 12 for installation instructions.

VENTILATION

DANGER

Use only in well-vented areas. Make sure area has plenty of free-moving, fresh, outside air. Never run generator in an enclosed or confined area. Never run generator inside occupied building. Engine exhaust contains poisonous carbon monoxide gas. Overexposure will cause loss of consciousness and will lead to death.

This generator needs cooling air to run properly. Never block free-flowing, cooling air to generator. Overheating will occur without cooling air. This will damage the generator. Keep generator at least three feet away from any object.

DUST, DIRT, RAIN, AND SNOW

WARNING

Do not use generator outdoors in rain or snow. Do not use generator near standing water or snow. Do not use if generator is wet or damp. Operating generator in these conditions increases the risk of electrocution. Severe injury or death can occur.

Do not use generator in extremely dusty or dirty conditions. This will severely affect its life. Keep generator clean. Do not allow dust, dirt, rain, or snow to collect on it. Protect generator from outdoor elements.

HIGH AND LOW TEMPERATURE OPERATION

Air temperature affects generator output. Output drops 1% for each 10° temperature rise above 60° F. Very low temperatures may make the engine hard to start. See engine owner's manual for more information.

GENERATOR FEATURES

OIL ALERT SYSTEM

The oil alert system protects the engine from low oil damage. This system automatically shuts down the engine and prevents engine restarting if the oil level falls too low.

Note: When this happens, the engine switch remains in the ON position. The oil alert system is wired into the ON/OFF Switch.

If this system shuts down the engine, the engine will not start until you add oil. Add oil to engine (see *Engine Oil*, page 11).

Note: Operate generator on a level surface. If not level, the oil may flow away from the oil level sensing device. This will cause the oil alert system to shut down engine.

See engine owner's manual for more information.

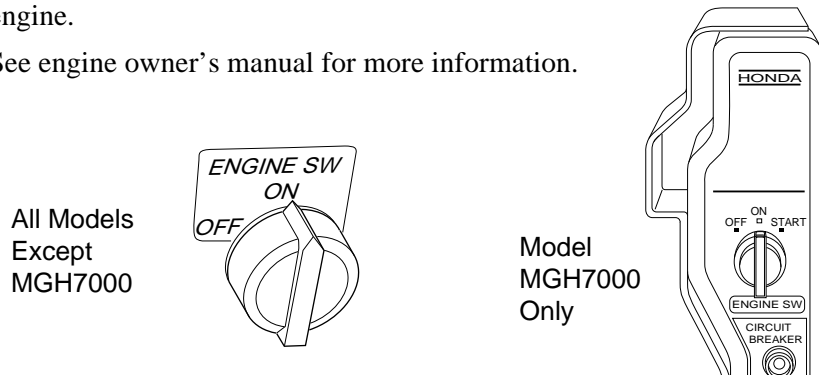


Figure 2 - Engine Switch Location

FULL POWER SELECTOR SWITCH

All models except MGH3000 and MGH7000 have a full power selector switch on the control panel. The switch has two positions: 120 VOLT ONLY, and 120/240 VOLT.

120 VOLT ONLY: This position sends full power to the 120V receptacles only. 240V power is not available. Use this position when powering 120V items only.

120/240 VOLT: This position sends full power to the 120/240V receptacle. It also powers the 120V receptacles at reduced wattage capacity.

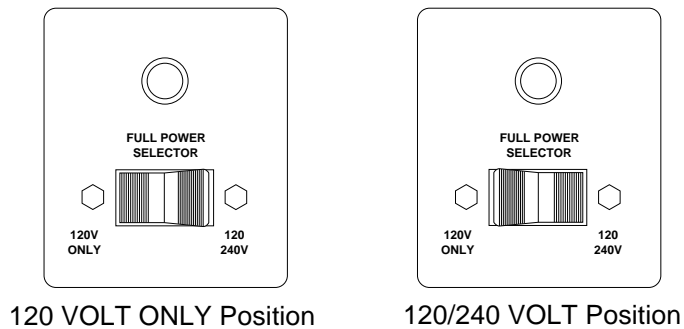


Figure 3 - Full Power Selector Switch

IMPORTANT: Do not move the full power selector switch while powering electrical items. Unplug all items before moving switch. Failure to do so can damage switch. Model MGH7000 does not have this switch. This model provides full power to all receptacles.

ELECTRIC START (Model MGH7000 Only)

Model MGH7000 has an electric starter. A battery is not supplied with generator. You must provide a 12-volt, 32-amp-hour battery. For more battery information, see *Battery*, page 12.

GENERATOR FEATURES

Continued

GROUND FAULT CIRCUIT INTERRUPTER RECEPTACLE

All models have a 120-volt ground fault circuit interrupter (GFCI) receptacle. The GFCI receptacle is on the control panel or top cover of alternator (model MGH3000 only). The GFCI protects you against hazardous electrical shock caused when your body becomes a path through which electricity travels to reach ground. This could happen when you touch an appliance or cord that is 'live' through faulty mechanism, damp or worn insulation, etc.

When protected by the GFCI, you may still feel a shock, but the GFCI should cut it off quickly. A person in normal health should not receive serious injury. *Note:* Infants and very small children may still be affected.

Test Procedure

Check the GFCI receptacle every month. This insures it is working right.

1. Push black TEST button. Red RESET button should pop out. This should trip GFCI, resulting in no electrical power at receptacle. Verify this by plugging test lamp with good bulb into receptacle. If lamp does not work, GFCI receptacle is good.

WARNING

If RESET button does not pop out, do not use the GFCI receptacle. Contact a qualified electrician for repairs.

2. If the GFCI receptacle tests okay, restore power by pushing the RESET button back in. The test lamp should work at this time. *IMPORTANT:* You must press the RESET button firmly and fully. It should lock into place. If the GFCI does not lock into place, do not use receptacle. Contact a qualified electrician for repairs.

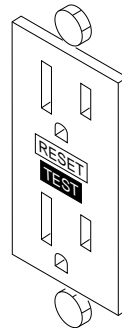


Figure 4 - GFCI Receptacle

ENGINE CIRCUIT BREAKER (Model MGH7000 Only)

This circuit breaker protects the battery charging circuit. A short circuit will trip the circuit breaker. The circuit breaker will also trip if you install battery wrong. Push circuit breaker button to reset.

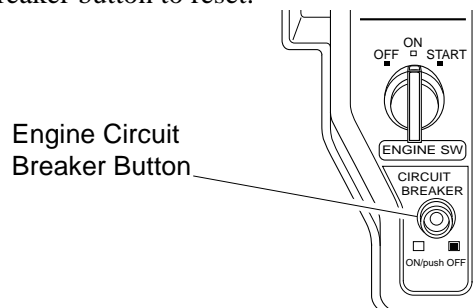


Figure 5 - Engine Circuit Breaker

GENERATOR FEATURES *Continued*

RECEPTACLE CIRCUIT BREAKER

The circuit breakers protect the receptacles and alternator. Overloading generator will trip circuit breaker. A short circuit in item being powered will also trip breaker. If this occurs, unplug electrical load from receptacle. Let circuit breaker cool down. Push circuit breaker button to reset.

Electric motors need higher starting current. They require up to three-times their rated wattage to start. The starting current needed may be too high. This can cause nuisance circuit breaker tripping. To help prevent this, start electric motors first. Connect additional items to generator after starting motors. If this continues to happen, reduce the total generator load.

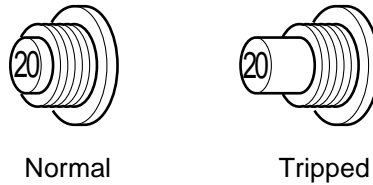


Figure 6 - Receptacle Circuit Breaker Button

ENGINE OIL

We ship the generator without oil in the engine crankcase. You must add oil before starting engine. See engine owner's manual for specific oil type.

CHECKING OIL LEVEL AND ADDING OIL

Follow steps below to check oil level. Make sure engine is level and stopped.

1. Remove dipstick (see Figure 7). Wipe dipstick clean.
2. Insert dipstick into oil filler neck. Do not screw it in. Oil level should be at top of filler neck. Oil should cover most of dipstick.
3. If level is low, fill to top of oil filler neck (see Figure 7). Only use oil recommended in engine owner's manual.

Note: If oil level is too low, oil alert system will shutdown engine and prevent engine from restarting.

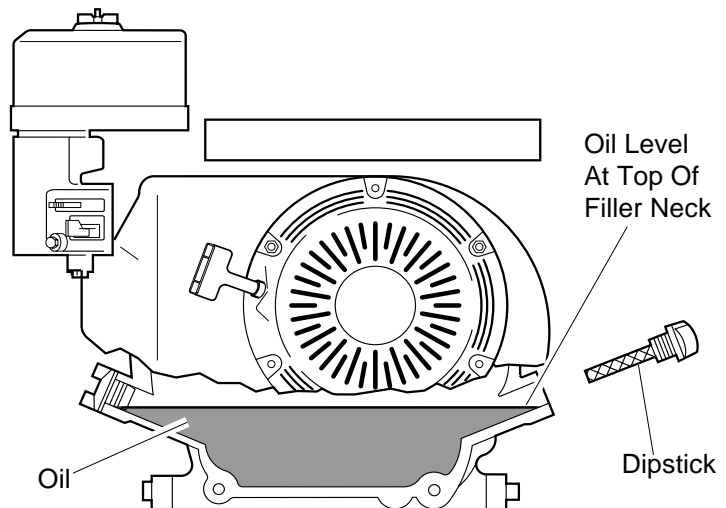


Figure 7 - Checking Oil Level

FUEL

WARNING

Gasoline presents a hazard of fire or explosion. Gasoline is flammable. Its vapor is explosive.

- **Keep fuel out of children's reach.**
- **Refuel generator in a well-vented area. Do not fill fuel tank in the dark. Do not refuel while engine is running. Unhook all electrical loads and shut off engine before refueling.**
- **Do not overfill fuel tank. Always allow room for fuel to expand. If you overfill tank, fuel can overflow onto hot engine. This can cause fire or explosion. After refueling, tightly close fuel tank cap.**
- **Do not spill fuel. Fuel or fuel vapor may ignite. If fuel spills, make sure area is dry before starting engine.**
- **Never smoke in refueling area. Never allow open flames or sparks in area.**
- **Store fuel in approved container. Store fuel in a well-vented area free of open flames or sparks.**

Use clean, fresh, unleaded gasoline. Use gasoline with octane rating of 86 or higher. Service station gasoline pumps should display the octane rating. Using gasoline with lower octane level could damage engine. Avoid getting dirt, dust, or water in fuel tank. Do not mix oil with gasoline.

See engine owner's manual for more information.

BATTERY

(Model MGH7000 Only)

WARNING

Battery gives off explosive gases. Keep sparks, flames, and cigarettes away. Do not remove or install battery cables when engine is cranking or running. Only service or use battery in a well-vented area.

WARNING

Battery contains sulfuric acid. Contact with skin or eyes may cause severe burns. Do not tilt generator with battery installed. Tilting could cause battery acid to spill. Wear protective clothing and face shield when servicing. Keep out of children's reach.

- **If battery acid gets on your skin, wash with water.**
- **If battery acid gets in your eyes, flush with water at least 15 minutes. Call a doctor at once. Battery acid is poisonous.**
- **If swallowed, drink large amounts of water or milk. Follow with milk of magnesia or vegetable oil. Call a doctor at once.**

BATTERY

(Model MGH7000 Only)

Continued

CAUTION

If you remove battery, insulate the red, positive (+) battery cable terminal. Insulate with electrical tape. Exposed terminal may spark when generator runs.

IMPORTANT: Make sure battery connections are the correct polarity. Electric start generators use negative ground, 12-volt DC starting system.

Model MGH7000 has an electric starter. A battery is not supplied with generator. You must provide a 12-volt, 32-amp-hour battery. The positive and negative battery cables are supplied with generator. You must install these cables before mounting battery.

Always wear safety glasses when working with battery. Make sure battery terminals are clean. Make sure cable connections are tight.

Always shut down engine before removing or attaching battery cables. Always remove the negative (-) cable first. Always attach negative (-) cable last.

INSTALLING BATTERY CABLES TO ENGINE

1. Attach the red, positive (+) battery cable to the starter solenoid on engine (see Figure 8).
2. Attach the black, negative (-) battery cable to the engine block. Use the bolt, nut, and two washers provided with the battery cables. Use long mounting hole on opposite side of engine from starter solenoid. Attach cable as shown in Figure 9.

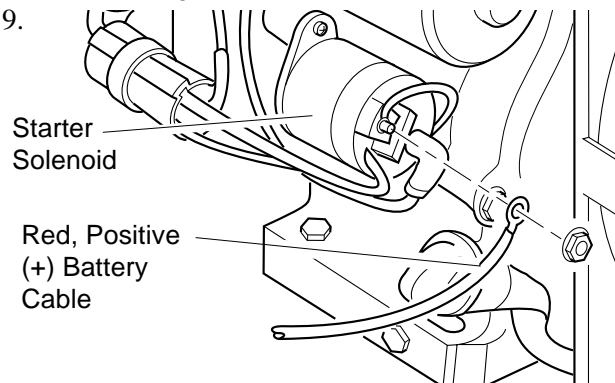


Figure 8 - Connecting Red, Positive (+) Battery Cable to Engine Starter Solenoid

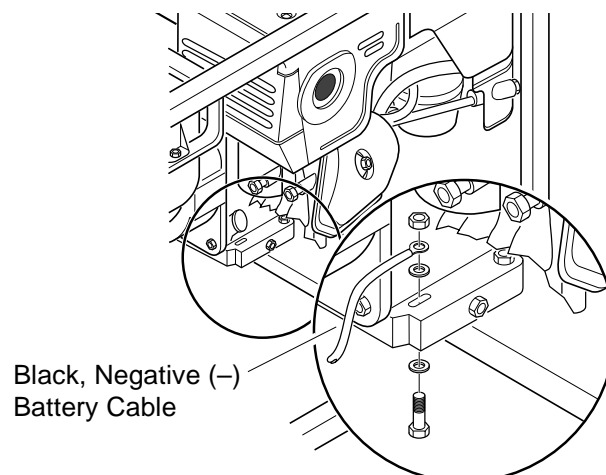


Figure 9 - Connecting Black, Negative (-) Battery Cable to Engine Block

Continued

BATTERY

(Model MGH7000 Only)

Continued

MOUNTING BATTERY TO GENERATOR

1. Secure battery to generator by battery hold-down system. This system consists of the battery mounting bracket, hook bolts, and nut (see Figure 10).
2. Locate the red, positive (+) battery cable from starter solenoid. Connect it to the positive (+) battery terminal (see Figure 11).
3. Locate the black, negative (-) battery cable attached to engine block. Connect it to the negative (-) battery terminal (see Figure 11).
4. Check battery before starting engine. Make sure fluid levels are full. Make sure battery is charged.

See engine owner's manual for more information.

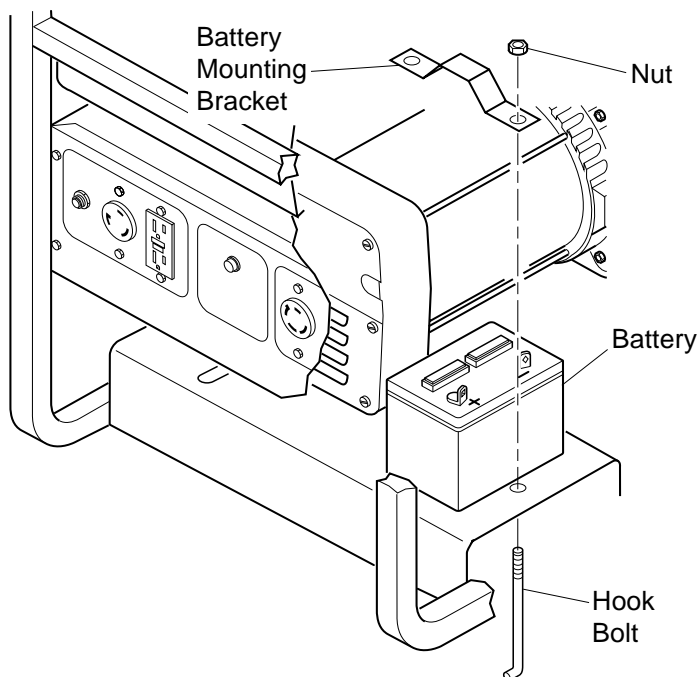


Figure 10 - Battery Hold-Down System

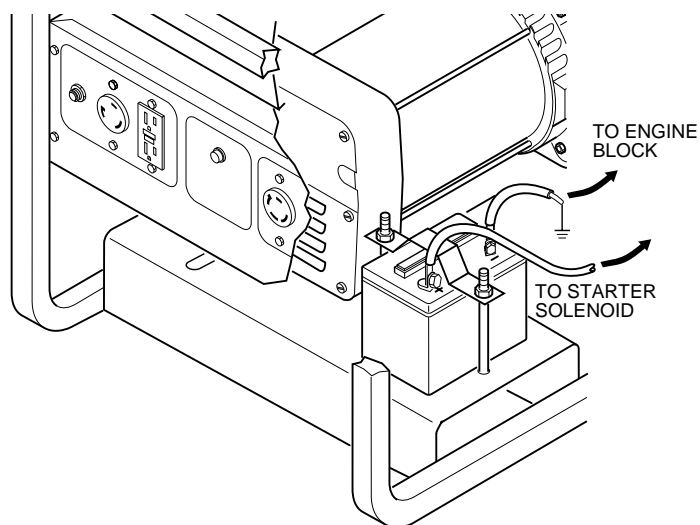


Figure 11 - Connecting Positive and Negative Cables to Battery

GENERATOR GROUNDING

WARNING

You must properly earth-ground generator before starting. This will help guard against deadly electric shock. Only use grounded plugs with generator. Only use grounded extension cords. Only use three-wire or double-insulated power tools.

Grounding generator helps prevent electric shock from a ground fault condition. Locate ground lug on end of generator housing (see Figure 12). Attach a #10 stranded-copper ground wire to ground lug. Drive grounding point into ground. Grounding point can be a stake, grounding rod, or pipe. Grounding point should be copper or brass. Attach ground wire to grounding point. You must supply the ground wire and grounding point. They do not come with generator. Follow the National Electrical Code and all state and local codes. Consult your power company or a licensed electrician.

WARNING

For a grounding point, do not use metal pipe being used to carry combustible materials or gases.

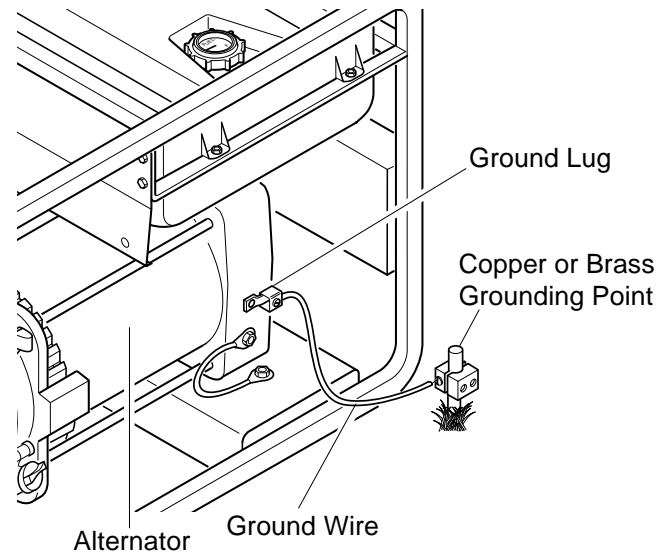


Figure 12 - Grounding Generator (Model MGH4000A Shown)

EXTENSION CORDS

Only use grounded extension cords. Be sure to use extension cord with proper wire gauge size. See chart below.

Recommended Minimum Wire Gauges (AWG) for Extension Cords

Ampere Load	AWG for Length of Cord in Feet		
	50'	100'	150'
2	18	18	18
3	18	18	18
4	16	16	16
5	16	16	16
6	16	16	14
8	16	14	12
10	16	14	12
12	14	14	12
14	14	12	10
16	12	12	10
20	10	10	8

STANDBY INSTALLATION TO HOME OR BUILDING

WARNING

Have standby installation performed by a skilled, licensed electrician. Do not let anyone else wire into a utility circuit. Personal injury, equipment damage, or damage to home could occur.

IMPORTANT: This generator will not power your entire home. Most home utility electric service is more than 60 amps. This will exceed generator output. Only power needed items during a power outage. Make sure total wattage of electrical load does not exceed rated wattage of generator.

You can use this generator as a standby power source. During a power outage, the generator will power selected items in a building. Have generator and additional wiring installed by a skilled, licensed electrician. This is not a do-it-yourself job. Follow all local codes.

WARNING

The electrician must install a double-throw transfer switch. This isolates existing electrical circuits from the utility power line. If not isolated, generator output will back-feed into utility power line. This may electrocute a power company line repair person.

DETERMINING ELECTRICAL LOAD FOR GENERATOR

You must decide what electrical load your generator can power. Do this before using generator. Use the following four-step method. It will help you select a load that is not too large. Make sure total wattage of all electrical loads does not exceed rated wattage of generator. For rated wattage of your generator, see *Specifications*, page 7. Electric motors present a special problem when figuring load. Read Step 3 carefully.

1. Make two lists of items you want powered by generator. List all motors and motor powered appliances in one. List all lights, small appliances, etc. in the

DETERMINING ELECTRICAL LOAD FOR GENERATOR

Continued

- other. For standby service to home or building, only include items you must power.
- Enter running watts of each item except motors. The light bulb or appliance nameplate lists its wattage. Remember, 1KW = 1000 watts. *Note:* The nameplate may not list wattage. It may only list volts and amps. The formula for finding wattage is: Volts x Amps = Watts. For example: An appliance nameplate states 3 amps at 120 volts. 3 amps x 120 volts = 360 watts.
 - Electric motors present a special problem. They require up to three-times their rated wattage to start. Chart 2, below, shows starting watts for different size motors. For example: an electric motor nameplate states 5 amps at 120 volts. 5 amps x 120 volts = 600 watts running. Multiply this figure by 3. This will show the starting watts needed. 600 watts x 3 = 1800 watts to start. When figuring the generator load for motors, you must use the starting watts figure. Do not use the running watts figure. *Note:* Some motors require nearly the same wattage to run as to start. These items include saws, drills, hair dryers, and food mixers. See Chart 1 for typical appliance wattage examples.
 - Add watts and starting watts of all items. This total must not be larger than the rated wattage of your generator. It is a good idea to have up to 25% extra capacity for future needs or extra equipment.

Chart 1

Typical Electric Appliance Wattages

Equipment	Running Watts	Starting Watts	Equipment	Running Watts	Starting Watts
Light bulb (100W)	100	100	1/2" Drill	1000	1250
Radio	150	150	Toaster	1200	1200
Fan	200	600	Coffee maker	1200	1200
Television	400	400	Skillet	1200	1200
Furnace fan (1/3 hp) with blower	600	1800	14" Chain saw	1200	1500
Vacuum cleaner	600	750	Water well pump (1/2 hp)	1000	3000
Sump pump (1/3 hp)	700	2100	Hot plate/range (per burner)	1500	1500
Refrigerator/freezer	800	2400	10" Table saw	2000	6000
6" Circular saw	800	1000	Water heater (storage-type)	5000	5000
Floodlight	1000	1000			

Chart 2

Motor HP Rating	Approximate Running Watts	Approximate Starting Watts*			
		Universal Motors (small appliance)	Repulsion Induction Motors	Capacitor Motors	Split Phase Motors
1/8	275	400	600	850	1200
1/4	400	500	850	1050	1700
1/3	450	600	975	1350	1950
1/2	600	750	1300	1800	2600
3/4	850	1000	1900	2600	x
1	1000	1250	2300	3000	x
1 1/2	1600	1750	3200	4200	x
2	2000	2350	3900	5100	x
3	3000	x	5200	6800	x

* – Always use starting watts, not running watts, when figuring correct electrical load.
 x – Motors of higher horsepower are not generally used.

OPERATION

GENERAL INFORMATION

This generator is not large enough to power your entire home. Do not connect generator to any existing electrical circuits. Plug items directly into generator receptacles. Do not exceed amperage rating of receptacles. Only use grounded cords.

DANGER

Use only in well-vented areas. Make sure area has plenty of free-moving, fresh, outside air. Never run generator in an enclosed or confined area. Never run generator inside occupied building. Engine exhaust contains poisonous carbon monoxide gas. Overexposure will cause loss of consciousness and will lead to death.

WARNING

Never connect generator to any existing electrical circuits. The generator output will back-feed into the utility power line. This may electrocute a power company line repair person. Also, if generator is powering electrical circuits, the chance of an electrical fire exists.

Note: We supply the engine owner's manual with generator. Refer to that manual for questions concerning engine operation.

USING RECEPTACLE

Note: Do not exceed amperage rating of receptacles. Exceeding rating will trip receptacle circuit breaker.

Use receptacles properly. Improper use could damage generator. Use only grounded extension cords. Power only grounded or double-insulated items. Do not overload receptacles. All generators (except model MGH3000) have the following receptacles (see Figure 13):

- 120V, 15-amp GFCI duplex receptacle
- 120V, 30-amp twist-lock receptacle
- 120/240V, 20 or 30-amp twist-lock receptacle

Model MGH3000 has only the 120V, 15-amp GFCI duplex receptacle.

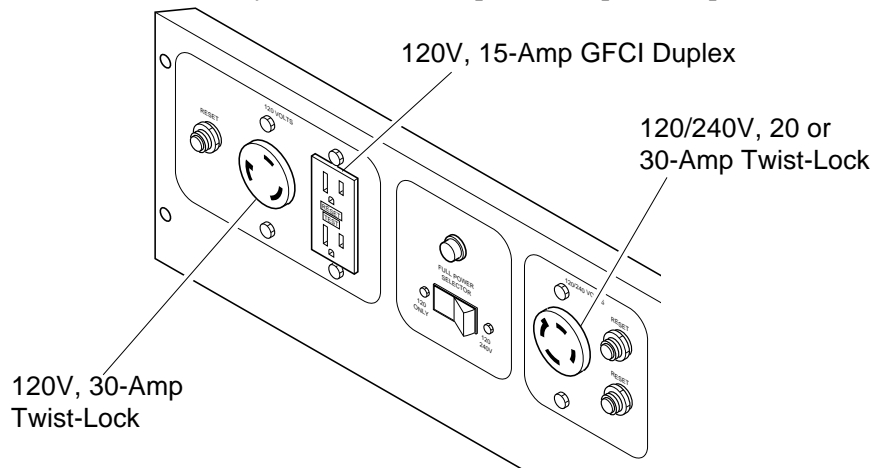


Figure 13 - Receptacle Locations

OPERATION

Continued

POWER CORD AND PLUG REQUIREMENTS

120V, 30-amp twist-lock receptacle

- NEMA L5-30P plug
- Three-wire, 30-amp cord

120/240V, 20 or 30-amp twist-lock receptacle

- NEMA L14-20P (20-amp) or L14-30P (30-amp) plug
- Four-wire, 20-amp or 30-amp cord

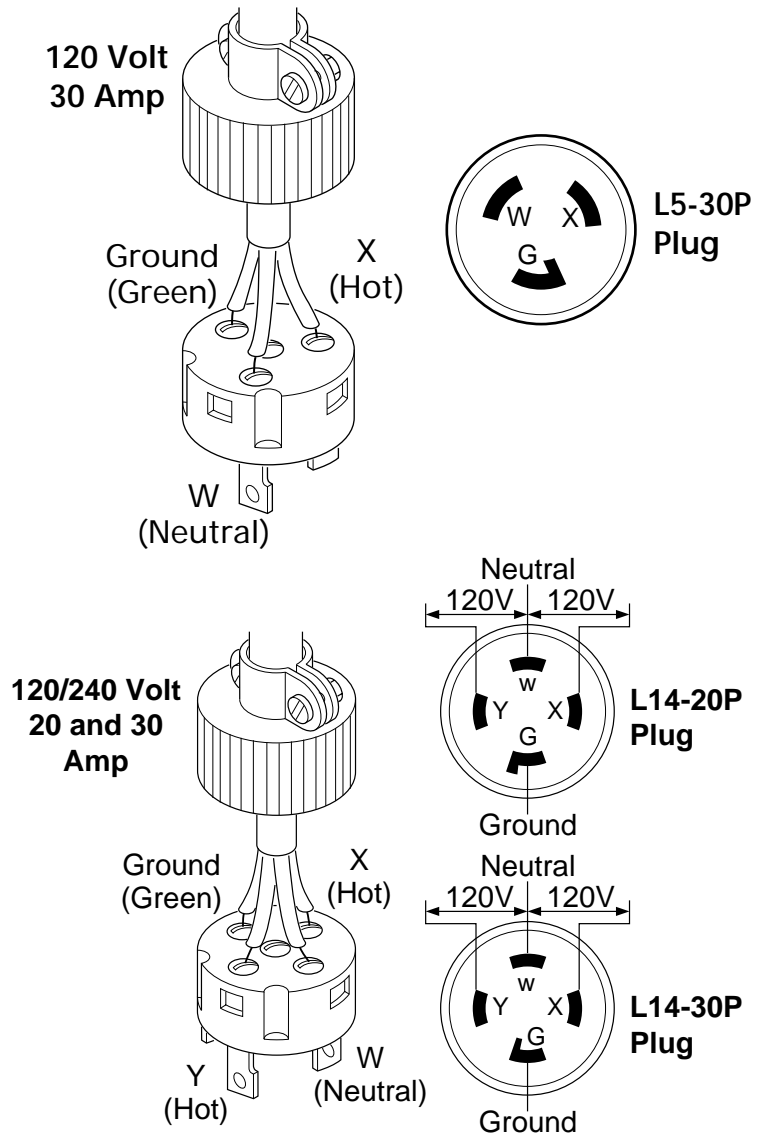


Figure 14 - Cord and Plug Configurations

OPERATION

Continued

PRESTART

Operate generator on a firm, dry, and clean surface. The surface must be level. Protect generator from heavy dust, sand, dirt, rain, or snow. Do not locate generator near standing water and snow. Make sure area is well-vented.

WARNING

Only responsible adults should use generator. Never let anyone operate generator without proper instructions.

Note: If oil level is too low, oil alert system will keep engine from starting (see *Oil Alert System*, page 9). Make sure oil level is full before starting. See *Engine Oil*, page 11.

Before starting the engine, disconnect all electric loads from generator.

STARTING

IMPORTANT: The engine speed is preset. The throttle is locked in preset position. Do not adjust throttle. Preset position lets engine run at 3600 RPM under load. The engine must maintain 3600 RPM for generator to create correct voltage. Running engine at lower speeds will damage generator and powered items.

IMPORTANT: Never start generator with electrical loads connected. Start engine before adding electrical loads.

1. Make sure gasoline tank is full. See *Fuel*, page 12 for fuel information.
2. Move fuel valve lever to the ON position (see Figure 15).
3. Move choke lever fully to the left (see Figure 15). This closes the choke.

Note: You may not need to close choke if engine is warm or air temperature is high.

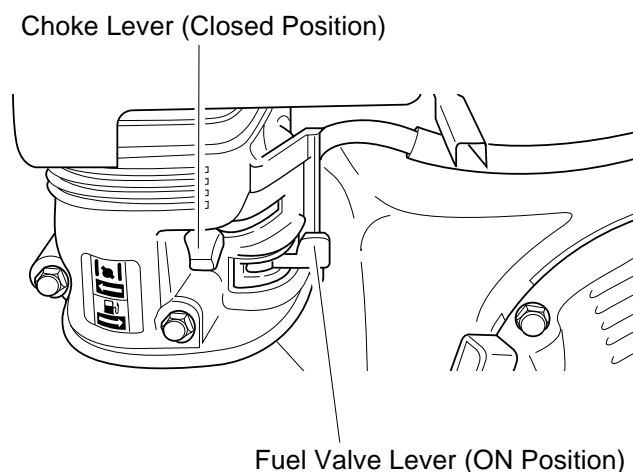


Figure 15 - Fuel Valve Lever On, Choke Lever Closed

OPERATION

Continued

4. Start the engine.

A. Recoil Starter

Turn engine switch to the ON position (see Figures 16 and 17). Remove slack from starter rope by lightly pulling starter grip. Next, pull starter rope briskly.

IMPORTANT: Do not let starter grip snap back against engine. Return it gently. This will prevent damage to starter.

Note: If engine does not start, check the oil in the crankcase. Add oil as necessary. Be sure engine is on a level surface. See oil alert system, page 9.

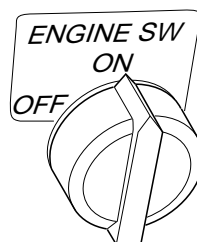


Figure 16 - Engine Switch In ON Position (All Models Except MGH7000)

B. Electric Starter (Model MGH7000 Only)

Turn the engine switch to the START position (see Figure 17). Hold it there until engine starts. When engine starts, let switch return to the ON position.

IMPORTANT: Do not use electric starter more than five seconds. Starter motor damage may occur. If engine fails to start, release the switch and wait ten seconds. After ten seconds, try starting again.

Note: If engine does not start, check the oil in the crankcase. Add oil as necessary. Be sure engine is on a level surface. See oil alert system, page 9.

5. As engine warms up, slowly move choke lever fully to the right (see Figure 18, page 22). This opens the choke.

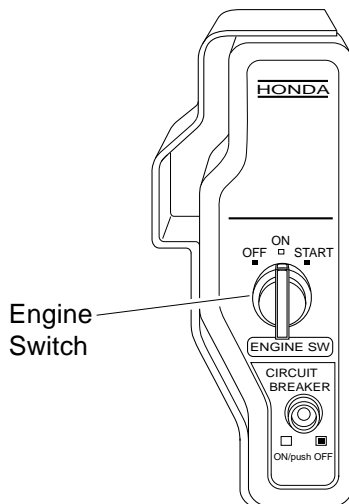


Figure 17 - Engine Switch (Model MGH7000 Only)

OPERATION

Continued

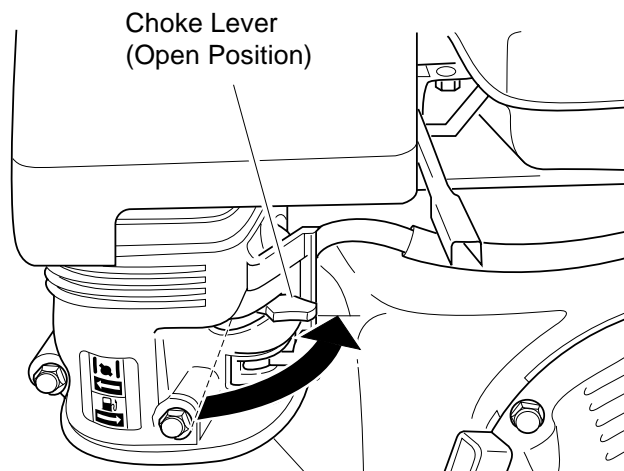


Figure 18 - Choke Lever Opened

HIGH ALTITUDE OPERATION

This generator will not perform well at high altitudes without proper adjustment. See engine owner's manual for details.

ADDING ELECTRICAL LOADS

IMPORTANT: Do not overload generator. Make sure total wattage of all electrical loads does not exceed rated wattage of generator. Overloading may shorten generator life. It could also cause internal damage to generator. Overloading will trip circuit breaker.

IMPORTANT: (All models except MGH3000 and MGH7000) Keep full power selector switch in the 120 VOLT ONLY position if only powering 120V items. Only move switch to 120/240 VOLT position if powering 240V items.

1. Check items to be powered. Their nameplate lists their wattage ratings.

Note: The wattage ratings for some electrical motors are misleading. They may require up to three-times their rated wattage to start. You must figure total electrical load wattage. Make sure total wattage of all electrical loads does not exceed rated wattage of generator. See *Determining Electrical Load For Generator*, page 16.

2. Start engine. Let engine reach full speed.
3. Connect electrical loads one at a time. If the load consists of electric motors, start them first. Always start the largest first. Start each motor individually.

DISCONNECTING ELECTRIC LOADS

Remove electrical loads one at a time. Remove voltage sensitive items first. Voltage sensitive items include TVs, VCRs, and other home electronic items.

OPERATION

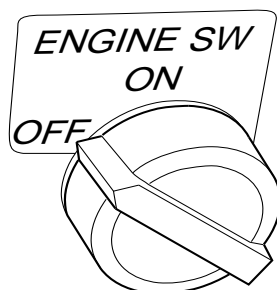
Continued

STOPPING ENGINE

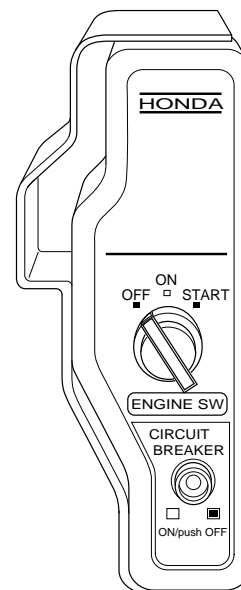
IMPORTANT: The engine speed is preset. The throttle is locked in preset position. Do not adjust throttle.

Follow the steps below to stop engine.

1. Remove all electrical loads from generator (see *Disconnecting Electrical Loads*, page 22). Remove electrical loads one at a time.
2. Let engine run for two or three minutes after removing electrical loads. This lets engine cool slightly.
3. Turn engine switch to the OFF position (see Figure 19).
4. Turn fuel valve lever off. Do this by moving valve lever fully to the left (see Figure 20).



Engine Switch For All Models Except MGH7000



Engine Switch For Model MGH7000

Figure 19 - Engine Switch In OFF Position

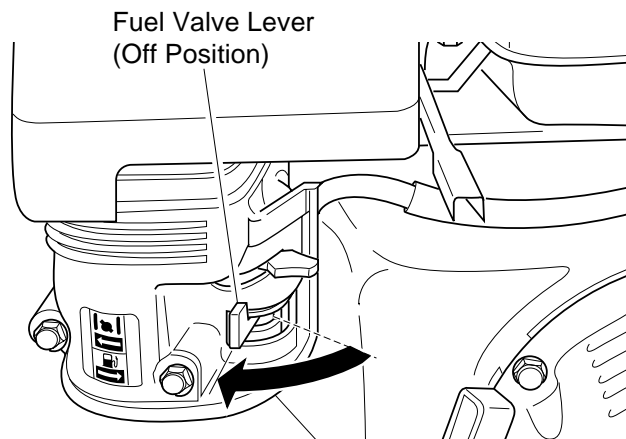


Figure 20 - Fuel Valve Lever Off

MAINTENANCE AND REPAIRS

WARNING

Only a qualified electrical service person should service and repair the alternator on this generator. Use only factory approved replacement parts.

CAUTION

The engine speed is preset. The throttle is locked in preset position. Do not adjust throttle. Preset position lets engine run at 3600 RPM under load. The engine must maintain 3600 RPM for generator to create correct voltage. Running engine at lower speeds will damage generator and powered items.

CAUTION

Shut off generator before performing maintenance.

IMPORTANT: Keep generator level when servicing. Never turn generator upside down or stand it on end to service.

Note: We supply the engine owner's manual with generator. Refer to that manual for questions concerning engine maintenance and repairs.

Non-engine parts require little maintenance. Keep generator clean. Use a damp cloth to clean outside surfaces. Never use water to clean generator. Water can cause damage to internal parts. Use vacuum to clean air inlet and outlet louvers of alternator.

STORAGE

WARNING

Remove all fuel from fuel tank before storing generator. Store fuel in approved container. Store fuel in a well-vented area free of open flames or sparks.

WARNING

The muffler becomes very hot during operation. The muffler remains hot for a while after shutdown. Let engine cool before storing.

IMPORTANT: Keep generator level while in storage. Never store generator upside down or standing on end.

Note: We supply the engine owner's manual with generator. Refer to that manual for questions concerning engine storage.

Use a fuel additive, such as STA-BIL[®] or an equivalent, when storing generator with fuel in fuel tank. This will minimize fuel gum deposits from forming in engine.

Cover and store generator in a clean, dry place. Do not expose generator to extreme high or low temperatures during storage.

TROUBLE-SHOOTING

Note: See engine owner's manual for engine troubleshooting.

WARNING

Only a qualified electrical service person should service and repair generator. Use only factory approved replacement parts.

OBSERVED PROBLEM	POSSIBLE CAUSE	REMEDY
No voltage when starting generator with no electrical load	<ol style="list-style-type: none"> Defective capacitor Winding short circuit or loose connections Defective rotor diode Loss of residual magnetism 	<ol style="list-style-type: none"> Replace capacitor Check resistance of coils (see <i>Electrical Component Specifications</i>, below) Replace both diodes on rotor Apply 12-volt battery to capacitor terminals for 2-3 seconds
Voltage is less than normal voltage with no electrical load	<ol style="list-style-type: none"> Engine speed too low Defective rotor diode Partial short circuit in winding Defective capacitor 	<ol style="list-style-type: none"> Set engine speed to 3720 RPM (62 Hz) with no load Replace both diodes on rotor Check resistance of coils (see <i>Electrical Component Specifications</i>, below) Replace capacitor
Voltmeter reading more than 10% high with no electrical load	<ol style="list-style-type: none"> Engine speed too high 	<ol style="list-style-type: none"> Set engine speed to 3720 RPM (62 Hz) with no load
Voltmeter reading correct with no electrical load, but more than 10% low when electrical load is added	<ol style="list-style-type: none"> Defective rotor diode Electrical load too high Engine not running properly 	<ol style="list-style-type: none"> Replace both diodes on rotor Do not overload generator Contact an authorized engine service center

ELECTRICAL COMPONENT SPECIFICATIONS

Model	Resistance in Ohms				Capacitor, MFD 450 Volt	Diodes (2) 800 Volt
	Stator Main Winding *	Stator Auxiliary Winding Δ	Rotor Primary Winding †	Rotor Secondary Winding †		
MGH3000	1.6	5.9	6.9	1.33	16	6 Amp
MGH4000A	0.71	2.17	0.54	2.07	40	70 Amp
MGH5000A	0.54	1.38	0.61	2.29	50	70 Amp
MGH6000	0.37	1.01	0.68	2.57	60	70 Amp
MGH7000	0.28	0.78	0.77	2.9	70	70 Amp

* Connect T2 (green) and T3 (black). Measure resistance between T1 (red) and T4 (yellow).

Δ Resistance between brown and white leads.

† Remove diodes to check resistance.

WIRING DIAGRAMS

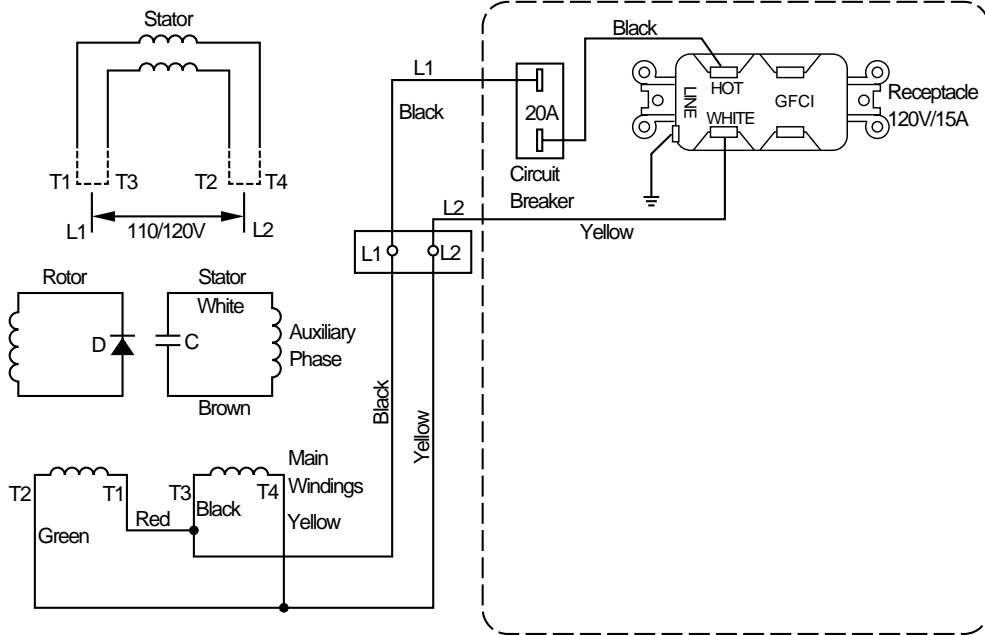


Figure 21 - Wiring Diagram, Model MGH3000

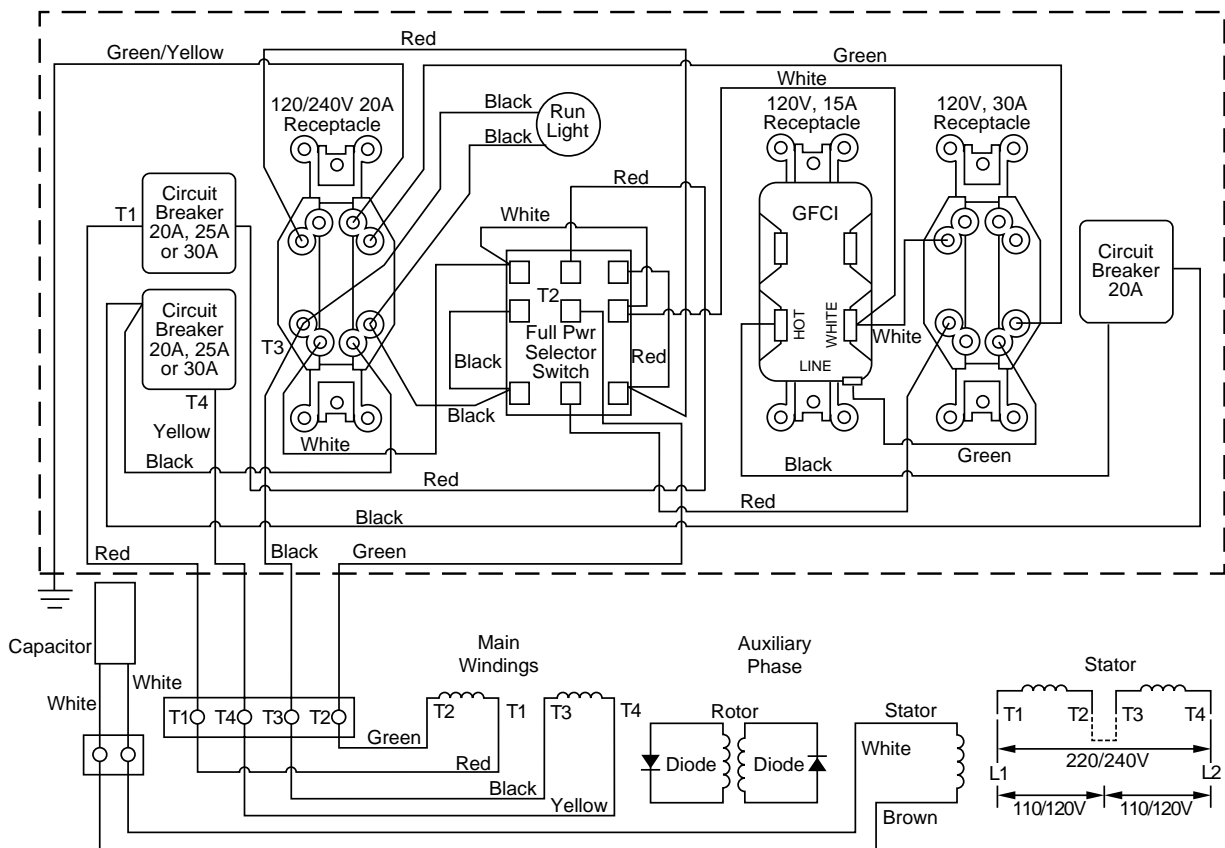


Figure 22 - Wiring Diagram, Models MGH4000A, MGH5000A, and MGH6000

WIRING DIAGRAMS

Continued

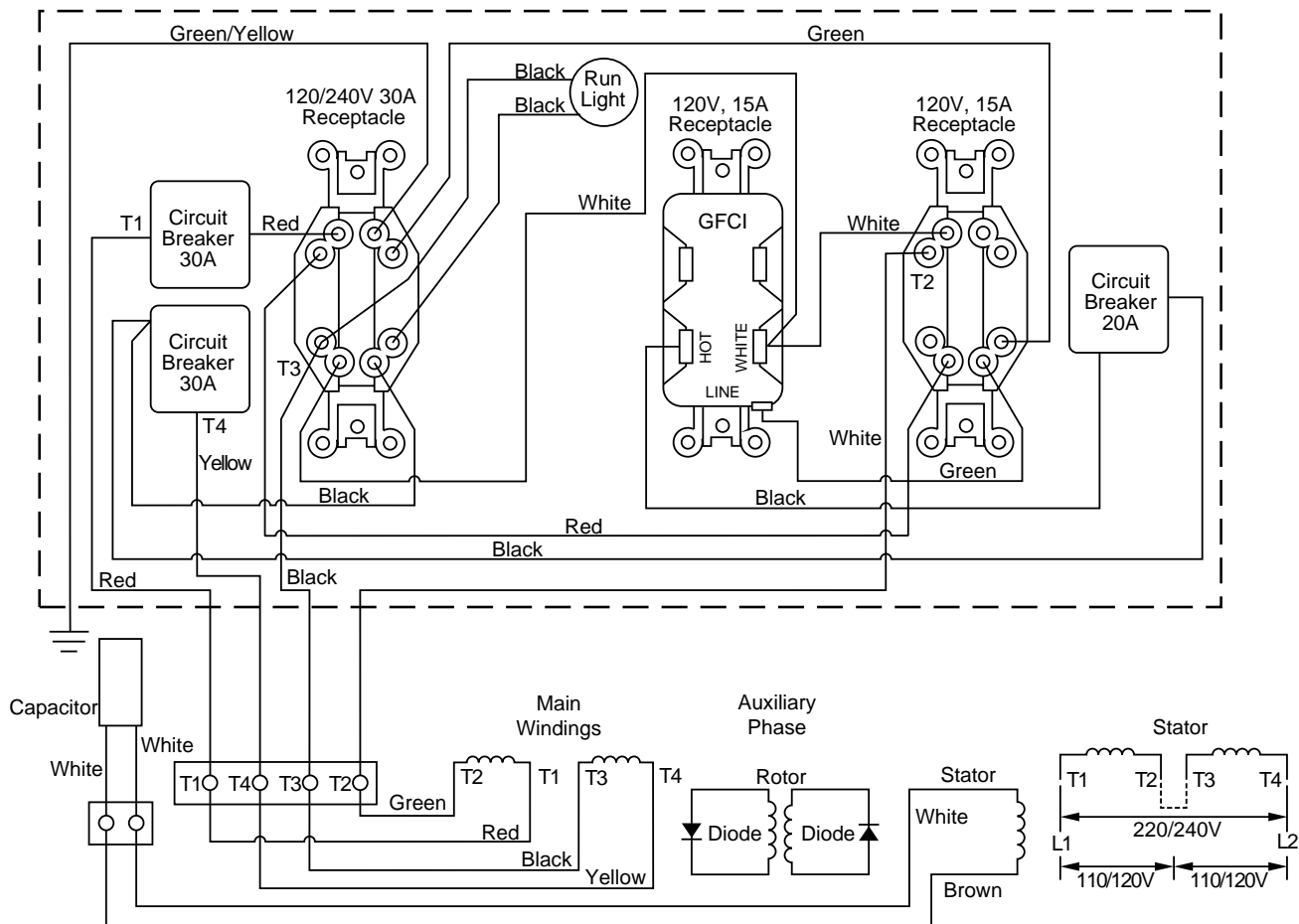


Figure 23 - Wiring Diagram, Model MGH7000

PARTS CENTRALS

These Parts Centrals are privately owned businesses. They have agreed to support our customer's needs by providing original replacement parts and accessories.

Parts Company of America

1657 Shermer Road
Northbrook, IL 60062
1-800-323-0620
(708) 498-5900
Parts Department

Portable Heater Parts

342 N. County Road 400 East
Valparaiso, IN 46383
1-800-362-6951
(219) 462-7441
Parts Department

Master Service Center

1184 Wilson NW
Grand Rapids, MI 49504
1-800-446-1446
(616) 791-4760
Mike Fowler

MTA Distributors

2940 Foster Creighton Drive
Nashville, TN 37204
1-800-264-0225
(615) 726-2225

Greenwood Electric Motor

8719 Greenwood N.
Seattle, WA 98103
(206) 782-8181
Bob Palmer

TECHNICAL SERVICE

You may have further questions about installation, operation, or troubleshooting. If so, contact DESA International's Technical Service Department at 1-800-323-5190.

SERVICING THE ENGINE

Honda parts and services should be handled by your nearest authorized engine service firm. Check the yellow pages of your telephone directory under the listing:

**Engines Gasoline,
Honda**

REPLACEMENT PARTS

Note: Use only original replacement parts. This will protect your warranty coverage for parts replaced under warranty.

Parts Under Warranty

Contact authorized dealers of this product. If they cannot supply original replacement part(s), either contact your nearest Parts Central (see page 27) or call DESA International's Technical Service Department at 1-800-323-5190.

When calling DESA International, have ready

- your name
- your address
- model number of your generator
- how generator is malfunctioning
- purchase date

Usually, we will ask you to return the defective part to the factory.

Parts Not Under Warranty

Contact authorized dealers of this product. If they cannot supply original replacement part(s), either contact your nearest Parts Central (see page 27) or call DESA International's Parts Department at 1-800-972-7879 for information.

When calling DESA International, have ready

- model number of your generator
- the replacement part number

ACCESSORIES

Heavy-Duty Wheel Kit – PA2000

For models MGH4000A, MGH5000A, MGH6000, and MGH7000

Wheelbarrow-style wheel kit. Makes generator easy for one person to move.

This kit includes:

- Large 12-inch wheels for easy rolling
- Plated tubing and hardware for long life
- Long handles with thick grips for greater comfort and control

Complete installation instructions included.

Automatic Idle Kit – PA2010

For models MGH4000A, MGH5000A, MGH6000, and MGH7000

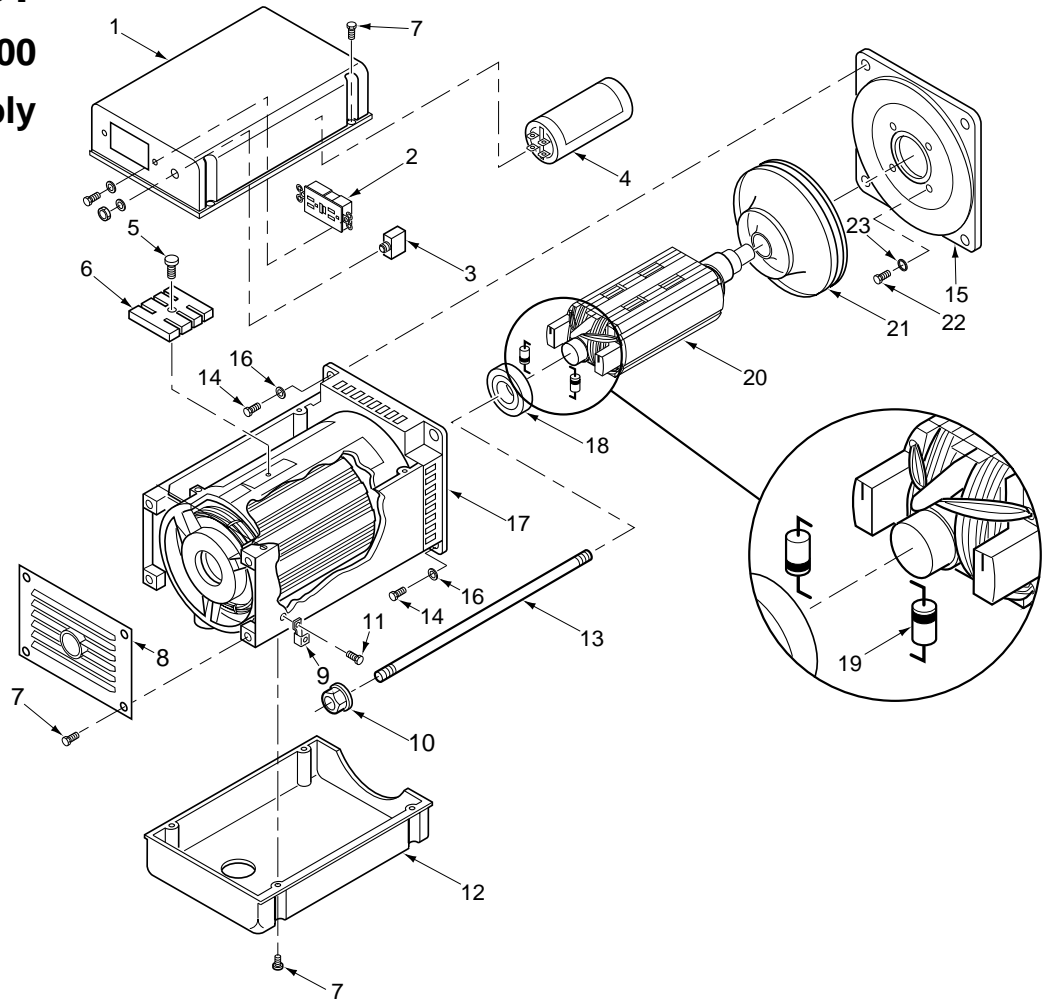
Automatically reduces engine speed when no power is being used. Reduces fuel consumption and engine noise. Increases engine life.

Complete installation and operation instructions included.

ILLUSTRATED PARTS LIST

For Model MGH3000 Alternator Assembly

This list contains replaceable parts used in your generator. When ordering parts, follow the instructions listed under REPLACEMENT PARTS on page 28 of this manual.



KEY NO.	PART NUMBER	DESCRIPTION	QTY.	KEY NO.	PART NUMBER	DESCRIPTION	QTY.
1	099722-02	Alternator Assembly	1	15	27001005S	Engine Flange	1
2	100074-01	Top Cover	1	16	WLE-4	Lock Washer, 1/4"	4
3	100065-01	120V, 15A Duplex (GFCI) Receptacle †	1	17	*	Stator	1
4	22616009	Circuit Breaker, 20 Amp †	1	18	27001002	Bearing	1
5	27002002S	Capacitor	1	19	27001009S	Diode	2
6	26333000	Screw, M4 x 20	1	20	*	Rotor	1
7	099863-01	Terminal Block	1	21	27001006	Fan	1
8	099701-01	Screw, M5 x 13	12	22	26327006	Bolt, 5/16-24 x 5/8"	4
9	099848-01	End Plate	1	23	WLE-5	Lock Washer, 5/16"	4
10	17587000	Ground Lug	1	PARTS AVAILABLE - NOT SHOWN			
11	099891-01	Flanged Nut, 8mm	1		099866-03	Safety Information Decal	1
12	M11084-26	Screw, #10 x 3/8"	1		099866-04	Safety Information Decal	1
13	099861-01	Bottom Cover	1		099867-02	Operation Decal	1
14	099842-01	Draw Bolt	1				
14	26310000	Screw, M6 x 16	4				

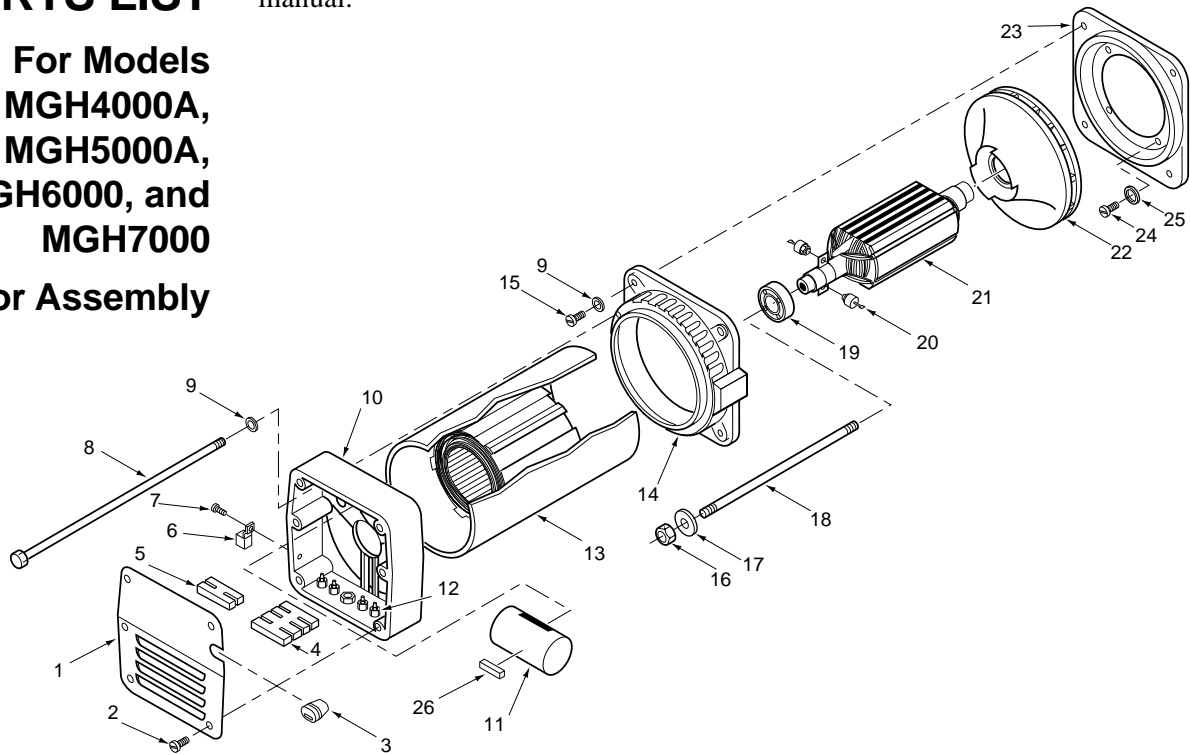
† Includes fastening hardware.

* Part not available by itself. Must purchase Alternator Assembly.

ILLUSTRATED PARTS LIST

For Models
MGH4000A,
MGH5000A,
MGH6000, and
MGH7000

Alternator Assembly

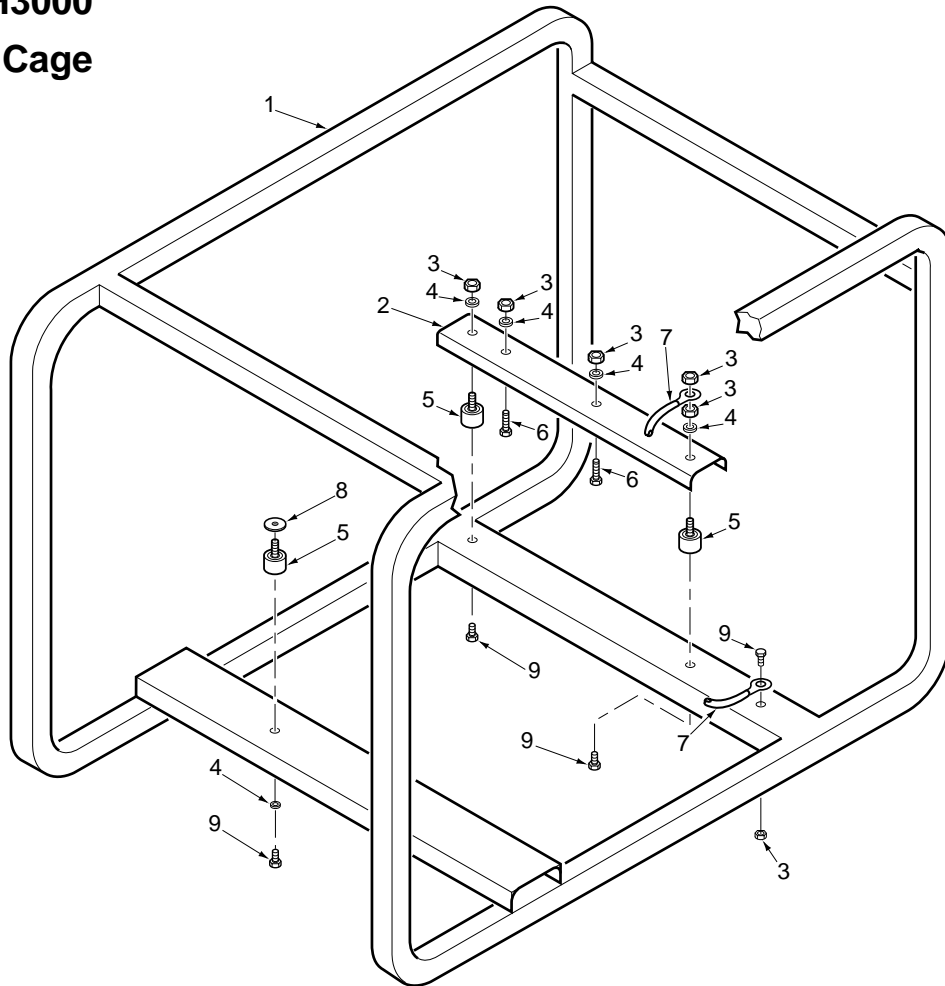


KEY NO.	PART NUMBER FOR MODEL				DESCRIPTION	QTY.
	MGH4000A	MGH5000A	MGH6000	MGH7000		
1	099723-01	099723-02	099723-03	099723-04	Alternator Assembly	1
	099844-01	099844-01	099844-01	099844-01	End Cover	1
2	099701-01	099701-01	099701-01	099701-01	Screw, M5 x 13	6
3	099760-01	099760-01	099760-01	099760-01	Bushing	1
4	099863-01	099863-01	—	—	Terminal Block (4-block)	1
5	099863-02	099863-02	099863-02	099863-02	Terminal Block (2-block)	1
6	17587000	17587000	17587000	17587000	Ground Lug	1
7	M11084-26	M11084-26	M11084-26	M11084-26	Screw, #10-16 x 3/8"	1
8	099847-01	099847-02	099847-03	099847-04	Stator Bolt	4
9	WLE-5	WLE-5	WLE-5	WLE-5	Lock Washer, 5/16"	4
10	099843-01	099843-01	099843-01	099843-01	Bearing Housing	1
11	27004002S	27005003S	099845-01	27007004S	Capacitor	1
12	—	—	100054-01	100054-01	Terminal Post	4
13	*	*	*	*	Stator	1
14	27003002	27003002	27003002	27003002	Fan Bracket	1
15	27003015S	27003015S	27003015S	27003015S	Screw, M8 x 20	4
16	27001010S	27001010S	27001010S	27001010S	Rotor Nut	1
17	27003013S	27003013S	27003013S	27003013S	Washer	1
18	099842-01	099842-02	099842-03	099842-04	Draw Bolt	1
19	27003003	27003003	27003003	27003003	Bearing	1
20	27003012S	27003012S	27003012S	27003012S	Diode	2
21	*	*	*	*	Rotor	1
22	27003008	27003008	27003008	27003008	Fan	1
23	27003007S	27003007S	27003007S	27003007S	Engine Flange	1
24	26322004	26322004	26322004	26322004	Bolt, 3/8-16 x 5/8"	4
25	WLE-6	WLE-6	WLE-6	WLE-6	Lock Washer, 3/8"	4
26	099892-01	099892-01	099892-01	099892-01	Foam Pad	1

ILLUSTRATED PARTS LIST

For Model MGH3000 Roll Cage

This list contains replaceable parts used in your generator. When ordering parts, follow the instructions listed under REPLACEMENT PARTS on page 28 of this manual.



KEY NO.	PART NUMBER	DESCRIPTION	QTY.
1	099781-01	Roll Cage	1
2	099780-02	Engine Spreader	1
3	NEC-5C	Lock Nut, 5/16-18	6
4	WP-5C	Flat Washer, 5/16"	5
5	26020000	Shock Mount	3
6	04110002	Screw, 5/16-18 x 1 1/2	2
7	14138000	Ground Strap	1
8	21834000	Washer, 5/16" x 1 1/2"	1
9	100406-01	Bolt, 5/16-18 x 3/4"	4

ILLUSTRATED PARTS LIST

This list contains replaceable parts used in your generator. When ordering parts, follow the instructions listed under REPLACEMENT PARTS on page 28 of this manual.

KEY NO.	PART NUMBER	DESCRIPTION	QTY.
1	25954000	Gas Cap/Fuel Gage	1
2	099832-01	Gas Tank (with 90° fitting)	1
3	25978000	Breather Assembly	1
4	HC4-8C	Screw, 1/4-20 x 1"	4
5	099701-01	Screw, M5 x 10	1
6	19508001	Gas Line Clamp	2
7	25985005	Fuel Line	1
8	099743-01	Fuel Filter	1
9	099752-01	Roll Cage Δ	1
	099752-02	Roll Cage †	1
10	NTC-4C	Lock Nut, 1/4-20	4
11	NEC-5C	Lock Nut, 5/16-18	5
12	14138000	Ground Strap	1
13	26020000	Shock Mounts	3
14	WLE-5	Lock Washer, 5/16"	3
15	100406-01	Bolt, 5/16-18 x 3/4"	3
16	WP-5C	Flat Washer, 5/16"	7
17	HC5-11C	Bolt, 5/16-18 x 1 3/4"	2
18	099756-01	Engine Spreader	1
19	099750-01	Hook Bolt, 5/16-18 **	2
20	099749-01	Battery Mounting Bracket **	1
21	NEC-5C	Lock Nut, 5/16-18 **	2
22	100410-01	Sems Screw, #8-18 x 1/2"	4
23	M10908-74	Screw, 1/4-20 x 1/2"	3
24	WP-4C	Washer, 1/4"	5
25	01076002	Washer, #10	1
26	WLI-3	Lock Washer, #10	1
27	099965-01	Linkage Cover	1
PARTS AVAILABLE - NOT SHOWN			
	099866-01	Safety Information Decal *	1
	099866-02	Safety Information Decal **	1
	100003-01	Operation Decal *	1
	100003-02	Operation Decal **	1
	099873-01	Battery Cable (Positive)**	1
	099873-02	Battery Cable (Negative)**	1
	HC4-6C	Screw, 1/4-20 x 3/4" (For attaching battery cables to battery)	2
	03157000	Fuel Line Grommet	3

* For models MGH4000A, MGH5000A, and MGH6000 only

** For model MGH7000 only

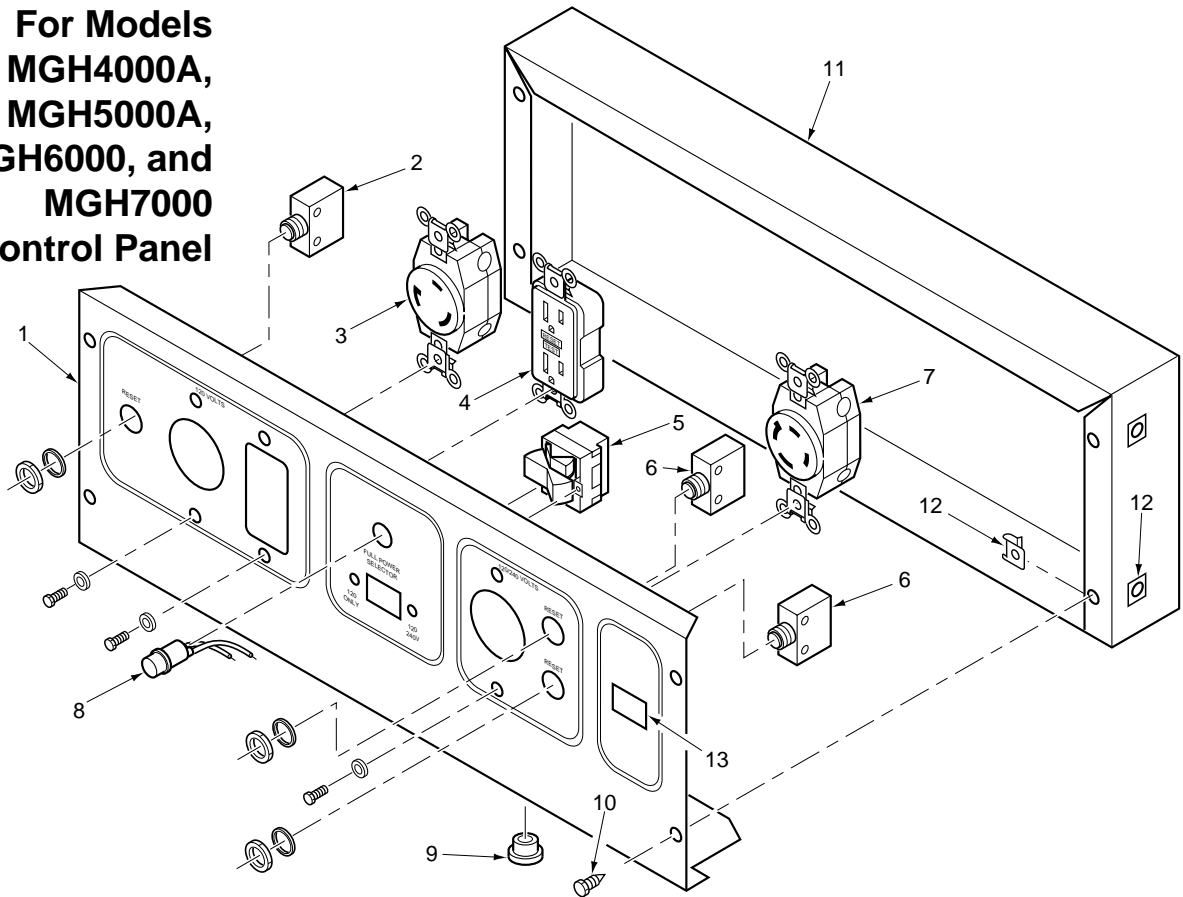
Δ For models MGH4000A and MGH5000A only

† For models MGH6000 and MGH7000 only

ILLUSTRATED PARTS LIST

For Models
MGH4000A,
MGH5000A,
MGH6000, and
MGH7000
Control Panel

This list contains replaceable parts used in your generator. When ordering parts, follow the instructions listed under REPLACEMENT PARTS on page 28 of this manual.



KEY NO.	PART NUMBER FOR MODEL				DESCRIPTION	QTY.
	MGH4000A	MGH5000A	MGH6000	MGH7000		
1	100148-01	100148-02	100148-03	100148-04	Control Panel	1
2	22616009	22616009	22616009	22616009	Circuit Breaker, 20 Amp *	1
3	099833-01	099833-01	099833-01	099833-01	120V, 30A Twist-Lock Receptacle *	1
4	100445-01	100445-01	100445-01	100445-01	120V, 15A Duplex (GFCI) Receptacle *	1
5	099956-01	099956-01	099956-01	—	Full Power Selector Switch *	1
6	22616009	—	—	—	Circuit Breaker, 20 Amp *	2
	—	22616011	—	—	Circuit Breaker, 25 Amp *	2
	—	—	22616010	22616010	Circuit Breaker, 30 Amp *	2
7	099834-01	099834-01	099834-01	—	120/240V, 20A Twist-Lock Receptacle *	1
	—	—	—	099835-01	120/240V, 30A Twist-Lock Receptacle *	1
8	26299000	26299000	26299000	26299000	Lamp	1
9	099760-01	099760-01	099760-01	099760-01	Bushing	1
10	100410-01	100410-01	100410-01	100410-01	Sems Screw, #8-18 x 1/2"	4
11	100149-01	100149-01	100149-01	100149-01	Control Box	1
12	22261000	22261000	22261000	22261000	U-Nut	8
13	099997-01	099997-01	099997-01	099997-01	Switch Plug	1
PARTS AVAILABLE - NOT SHOWN						
	100177-01	100177-01	100177-01	100177-01	Panel Schematic Decal	1

* Includes fastening hardware

WARRANTY INFORMATION

KEEP THIS WARRANTY

Model _____

Serial No. _____

Date Purchased _____

Always specify model and serial numbers when communicating with the factory.

We reserve the right to amend these specifications at any time without notice. The only warranty applicable is our standard written warranty. We make no other warranty, expressed or implied.

Note: The two-year limited warranty below covers all non-engine parts of this generator including the alternator. Honda warrants the engine. See engine owner's manual for engine warranty information.

TWO-YEAR LIMITED WARRANTY GASOLINE PORTABLE GENERATORS

DESA International warrants each alternator, generator, or electric product of its manufacture, to be free from defects in material and workmanship for two years from the date of first purchase from an authorized dealer, provided that the product has been properly installed, maintained, and operated in accordance with all applicable instructions. The bill of sale or proof of purchase must be presented at the time a claim is made under this warranty.

This warranty is extended only to the original retail purchaser. This warranty covers only the parts and labor required to restore this unit to its proper operating condition. Warranty parts must be obtained through factory authorized dealers and service centers for this product. These dealers and service centers will provide original factory replacement parts. Failure to use original factory replacement parts voids this warranty.

This warranty does not apply to parts that are not in original condition because of normal wear and tear, or parts that fail or become damaged as a result of misuse, abuse, negligence, accident, lack of proper maintenance, alteration, modification, tampering, contaminated fuels, repair using improper parts, or repair by anyone other than an authorized dealer or service center. Routine maintenance is the responsibility of the owner. Travel, handling, transportation, and incidental costs associated with warranty repairs are not reimbursable under this warranty and are the responsibility of the owner.

DESA International makes no warranty with respect to the engine and engine components not of its manufacture. They are subject to warranties of their manufacturers.

To the full extent allowed by the law of the jurisdiction that governs the sale of the product, this express warranty excludes any and all other expressed warranties and limits the duration of any and all implied warranties, including warranties of merchantability and fitness for a particular purpose to two years from the date of first purchase, and DESA International's liability is hereby limited to the purchase price of the product and DESA International shall not be liable for any other damages whatsoever including indirect, incidental, or consequential damages.

Some states do not allow limitation of how long an implied warranty lasts or an exclusion or limitation of incidental or consequential damages, so the above limitation of damages may not apply to you.

This warranty provides the original purchaser with specific rights. For information regarding those rights, please consult the applicable state laws.

DESA

INTERNATIONAL

2701 Industrial Drive

P.O. Box 90004

Bowling Green, KY 42102-9004

100069-01

REV. H

2/95